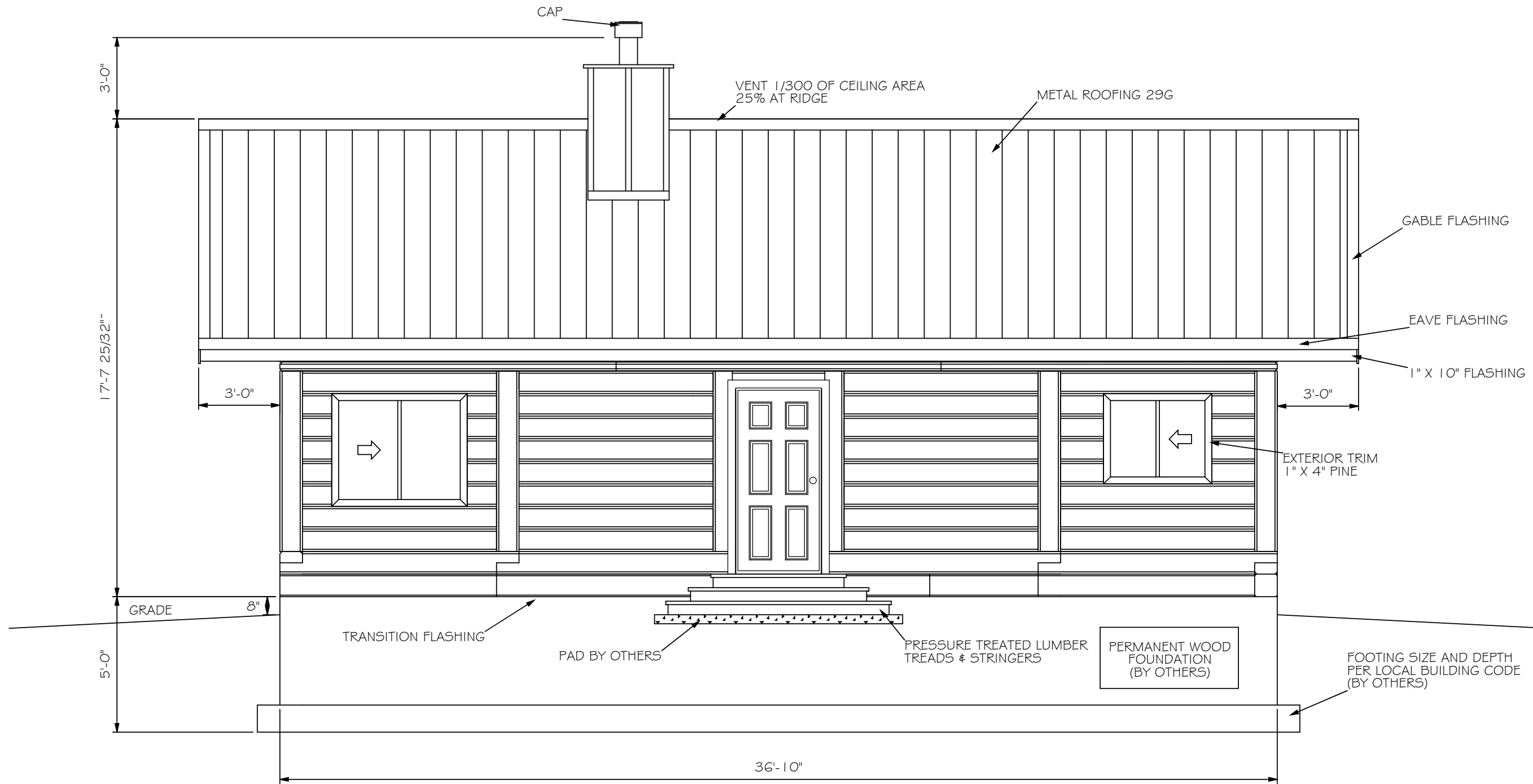


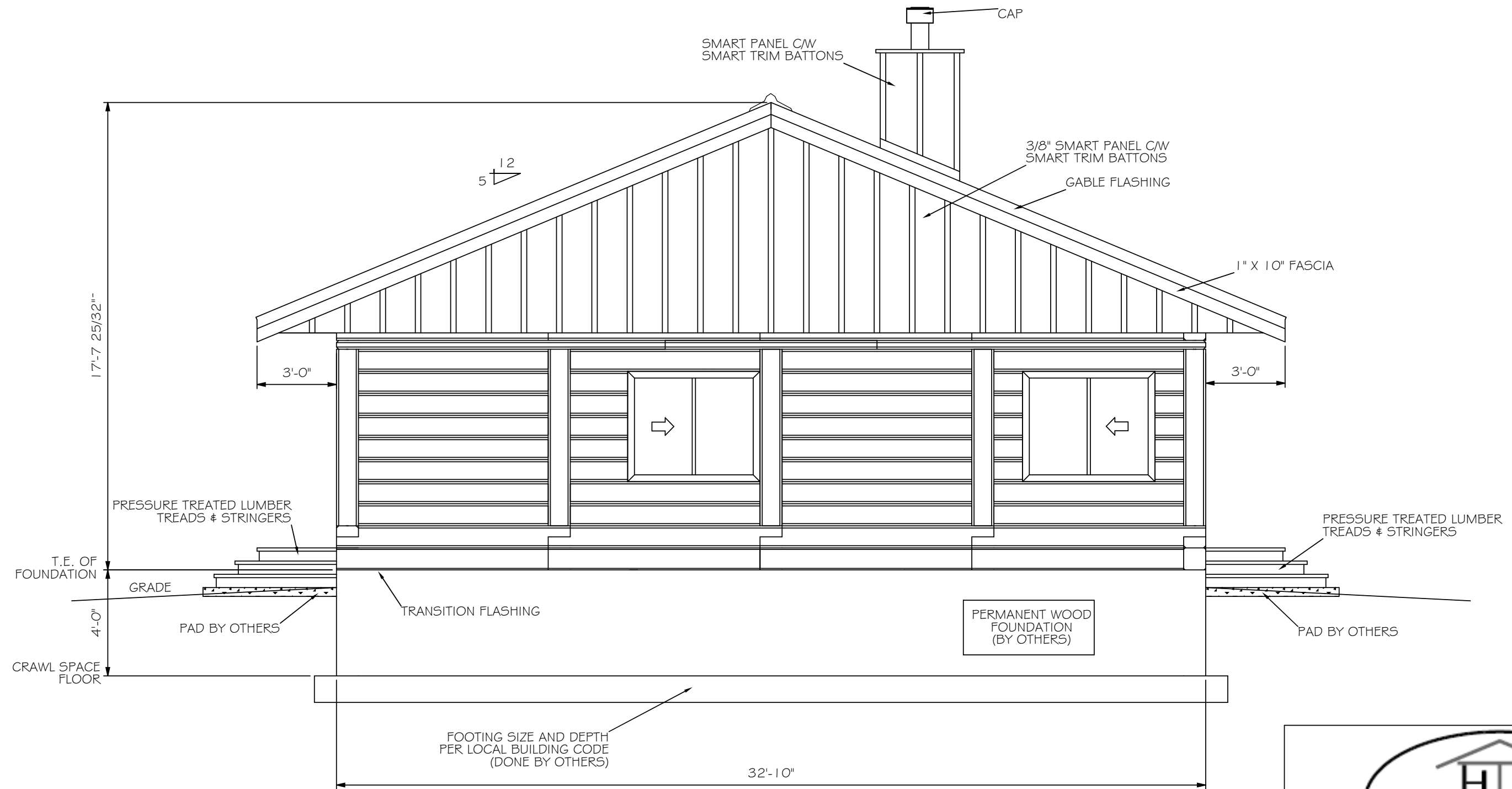
SCALE: 3/16" = 1'-0"	DRAWN BY:
DATE: 12 JULY, 2012	REVISED:
NAHANNI	
FOUNDATION PLAN	DRAWING: 001



FRONT ELEVATION



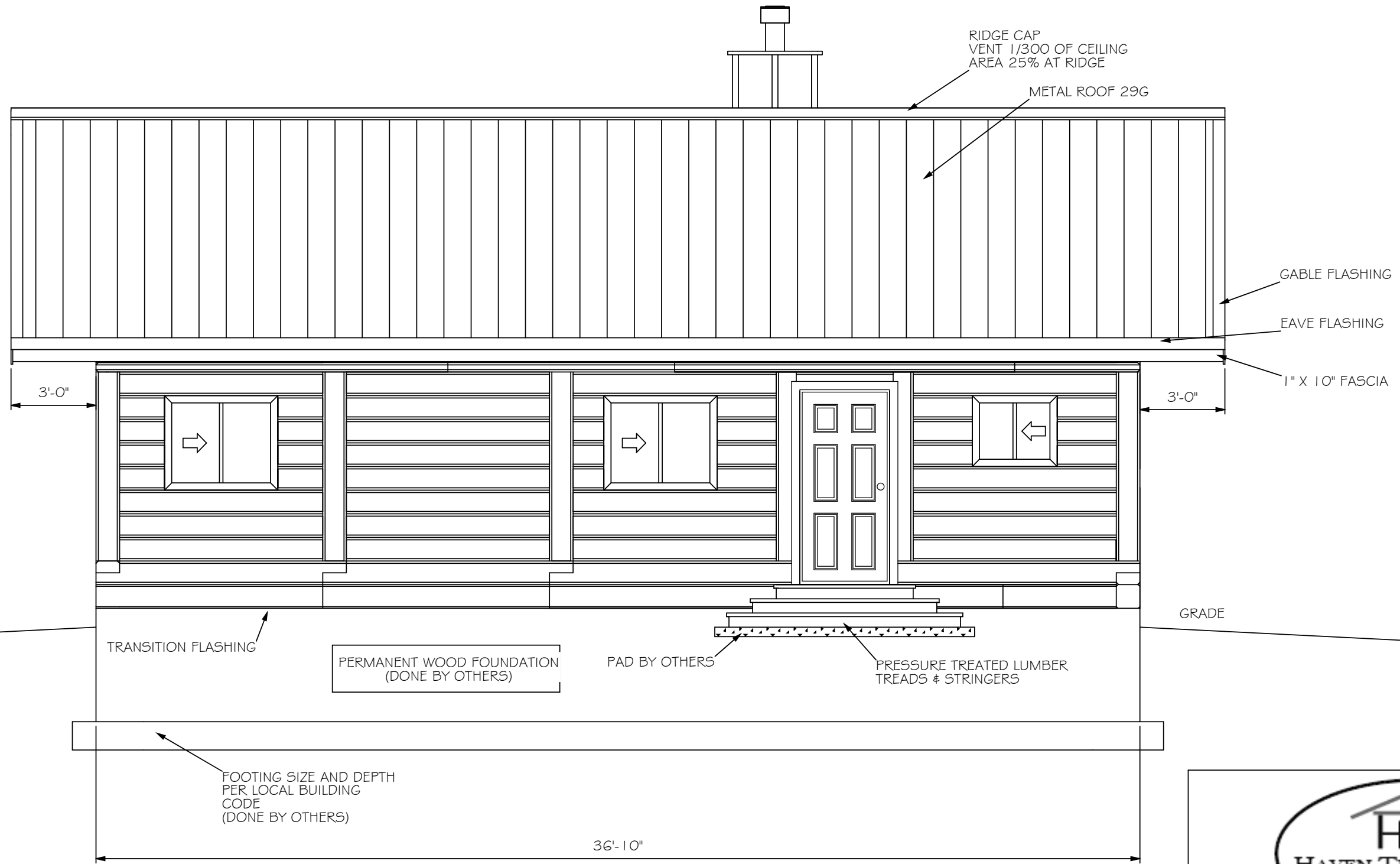
SCALE: 1/4" = 1'-0"	DRAWN BY:
DATE: 02-01-2014	REVISED:
NAHANNI	
FRONT ELEVATION	DRAWING: 001



LEFT ELEVATION



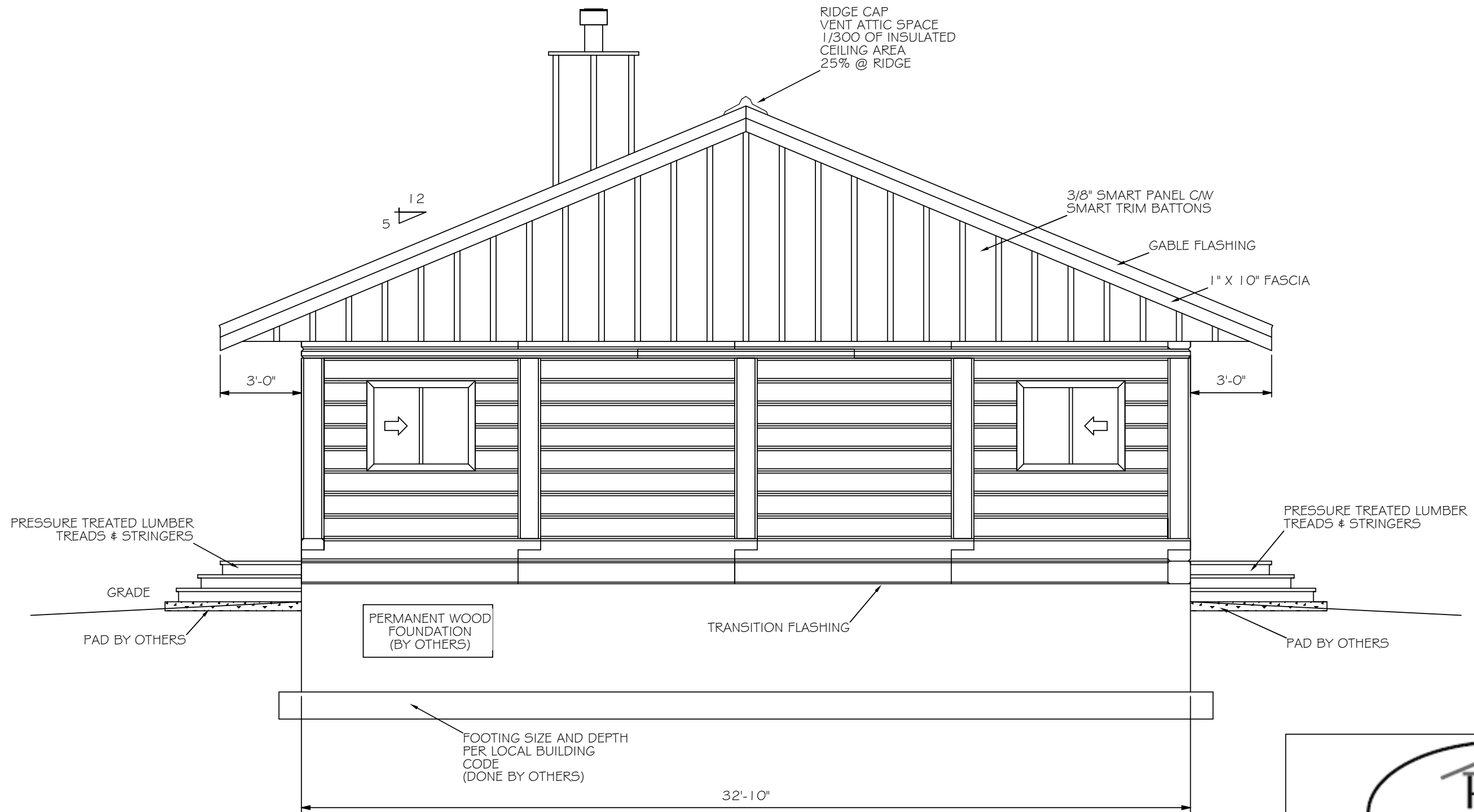
SCALE: 1/4" = 1'-0"	DRAWN BY:
DATE: 02-01-2014	REVISED:
NAHANNI	
LEFT ELEVATION	DRAWING: 002



REAR ELEVATION



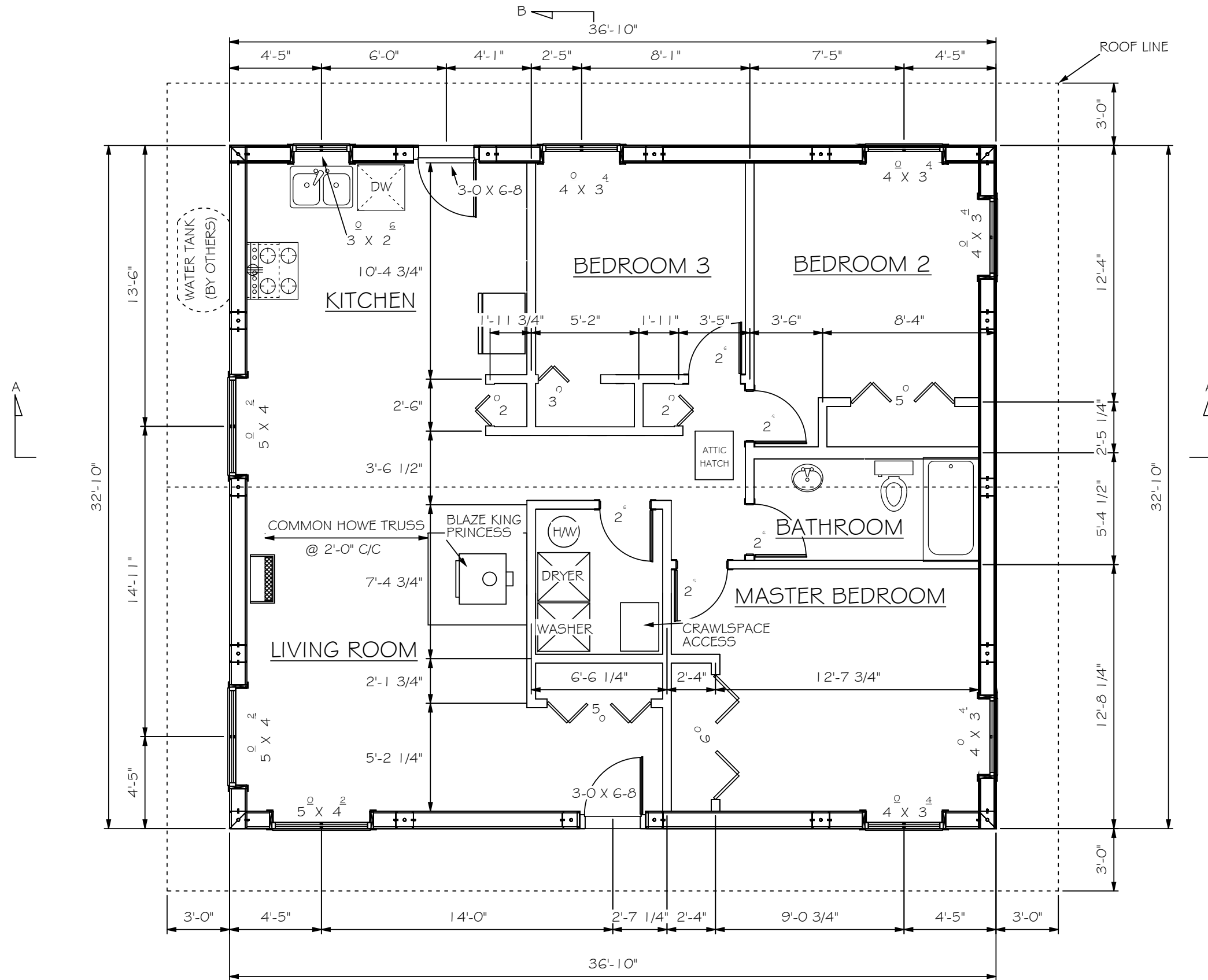
SCALE: 1/4" = 1'-0"	DRAWN BY:
DATE: 02-01-2014	REVISED:
NAHANNI	
REAR ELEVATION	DRAWING: 003



RIGHT ELEVATION



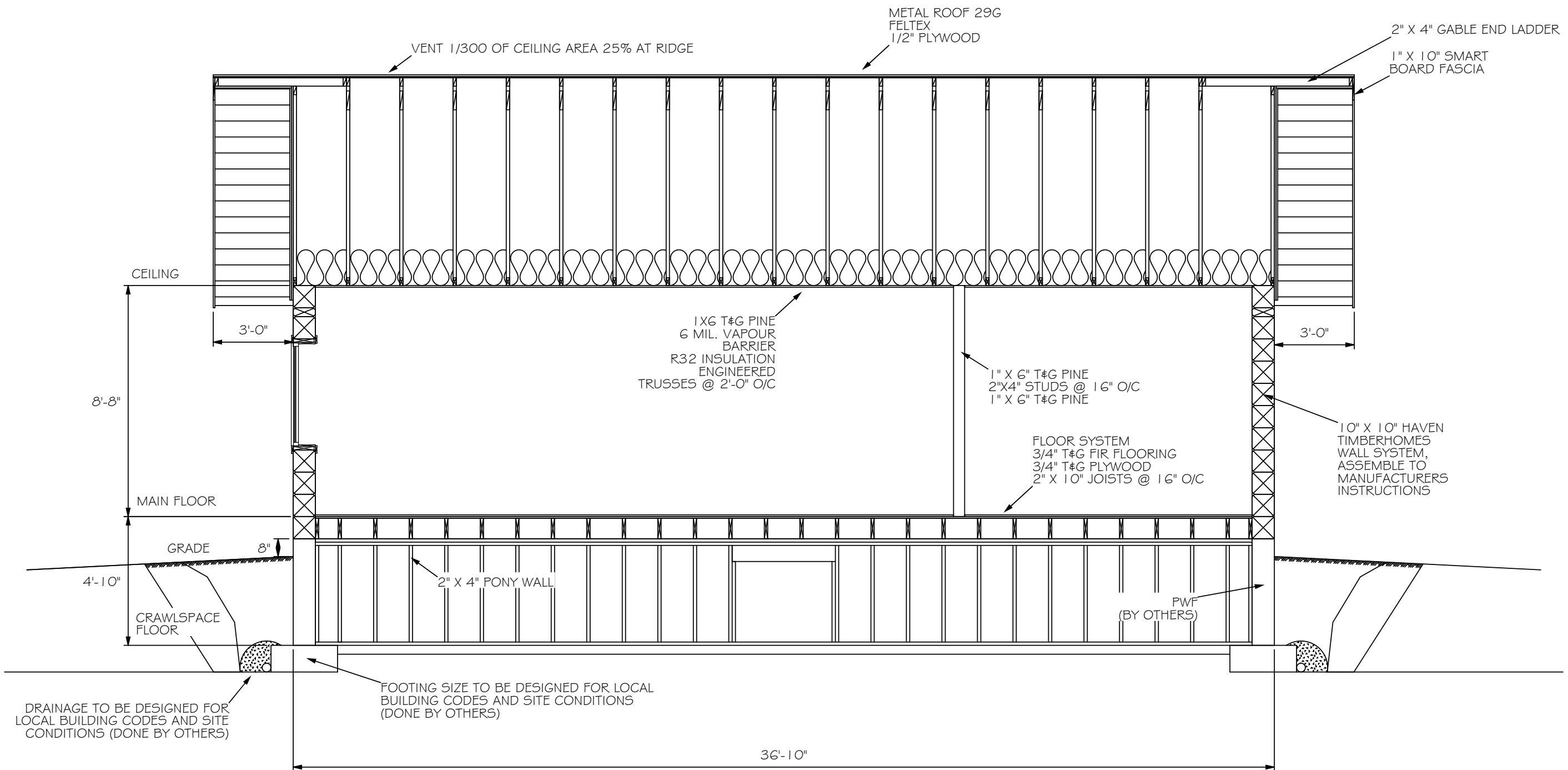
SCALE: 3/16" = 1'-0"	DRAWN BY:
DATE: 02-01-2014	REVISED:
NAHANNI	
RIGHT ELEVATION	DRAWING: 004



MAIN FLOOR PLAN



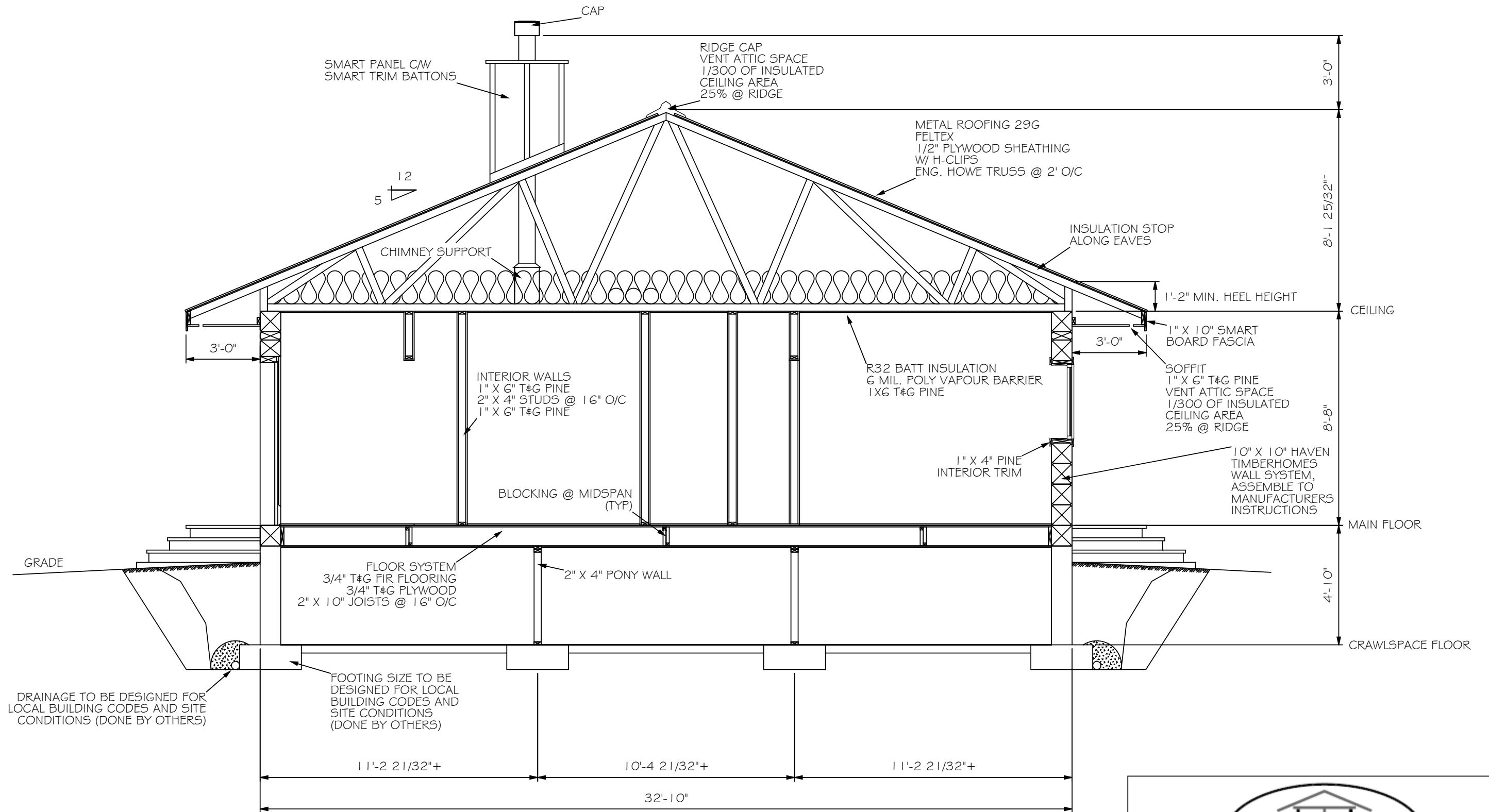
SCALE: 3/16 = 1'-0"	DRAWN BY:
DATE: 02-01-2014	REVISED:
NAHANNI	
MAIN FLOOR PLAN	DRAWING: 005



SECTION A-A



SCALE: 1/4" = 1'-0"	DRAWN BY:
DATE: 02-01-2014	REVISED:
NAHANNI	
-SECTION A-A-	DRAWING: 007

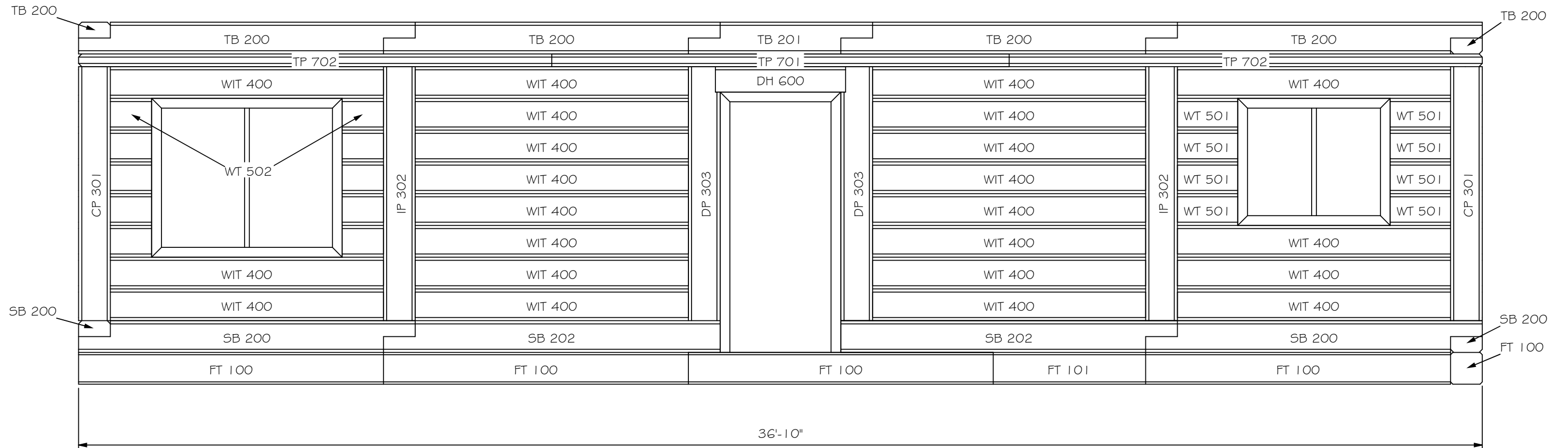


SECTION B-B



SCALE: 1/4" = 1'-0"	DRAWN BY:
DATE: 02-01-2014	REVISED:
NAHANNI	
-SECTION B-B-	DRAWING: 008

- DWG#
 100'S - FT= FOUNDATION TIMBERS
 200'S - SB= SILL BEAMS
 TB= TIE BEAMS
 300'S - WT= WINDOW TIMBERS
 400'S - WIT= WALL INFILL TIMBERS
 500'S - IP= INFILL POST
 DP= DOOR POST
 CP= CORNER POST
 600'S - DH= DOOR HEADER
 700'S - TP= TIE PLATE

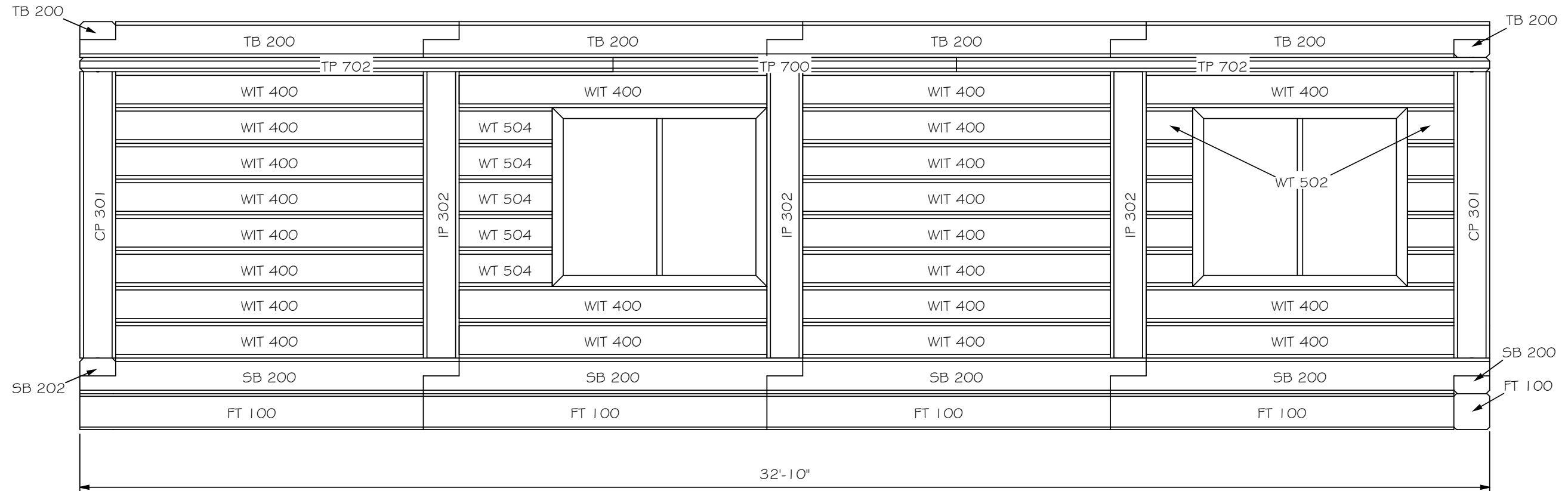


FRONT ELEVATION TIMBER KEY



SCALE: 3/8" = 1'-0"	DRAWN BY:
DATE: 02-01-2014	REVISED:
NAHANNI	
FRONT ELEVATION TIMBER KEY	DRAWING: 009

- DWG#
 100'S - FT= FOUNDATION TIMBERS
 200'S - SB= SILL BEAMS
 TB= TIE BEAMS
 300'S - WT= WINDOW TIMBERS
 400'S - WIT= WALL INFILL TIMBERS
 500'S - IP= INFILL POST
 DP= DOOR POST
 CP= CORNER POST
 600'S - DH= DOOR HEADER
 700'S - TP= TIE PLATE

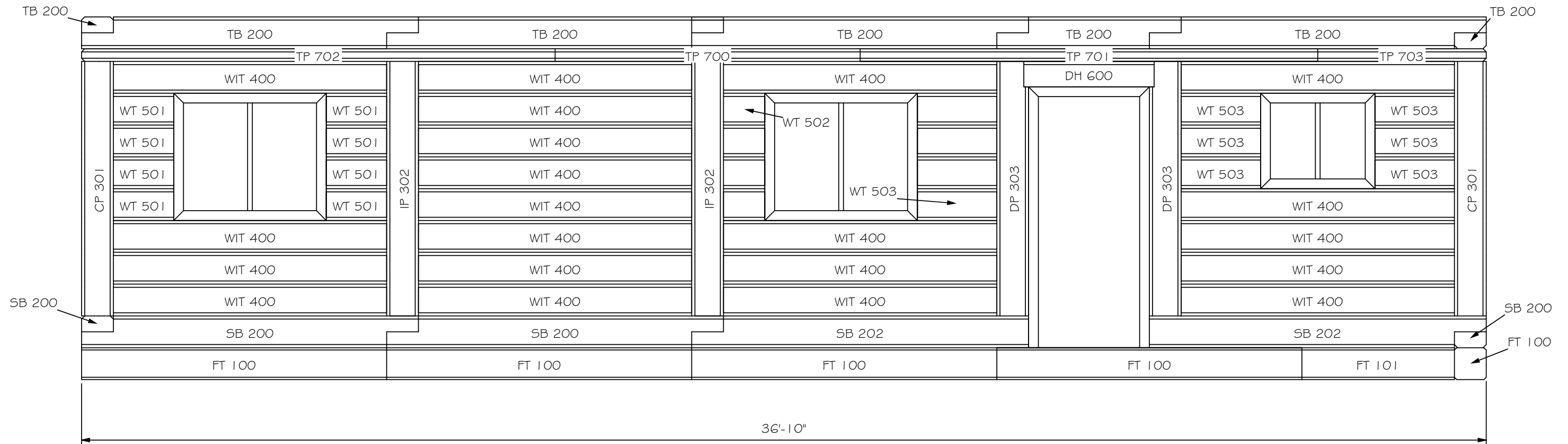


LEFT ELEVATION TIMBER KEY



SCALE: 3/8" = 1'-0"	DRAWN BY:
DATE: 02-01-2014	REVISED:
NAHANNI	
LEFT ELEVATION TIMBER KEY	DRAWING: 010

- DWG#
 100'S - FT= FOUNDATION TIMBERS
 200'S - SB= SILL BEAMS
 TB= TIE BEAMS
 300'S - WT= WINDOW TIMBERS
 400'S - WIT= WALL INFILL TIMBERS
 500'S - IP= INFILL POST
 DP= DOOR POST
 CP= CORNER POST
 600'S - DH= DOOR HEADER
 700'S - TP= TIE PLATE

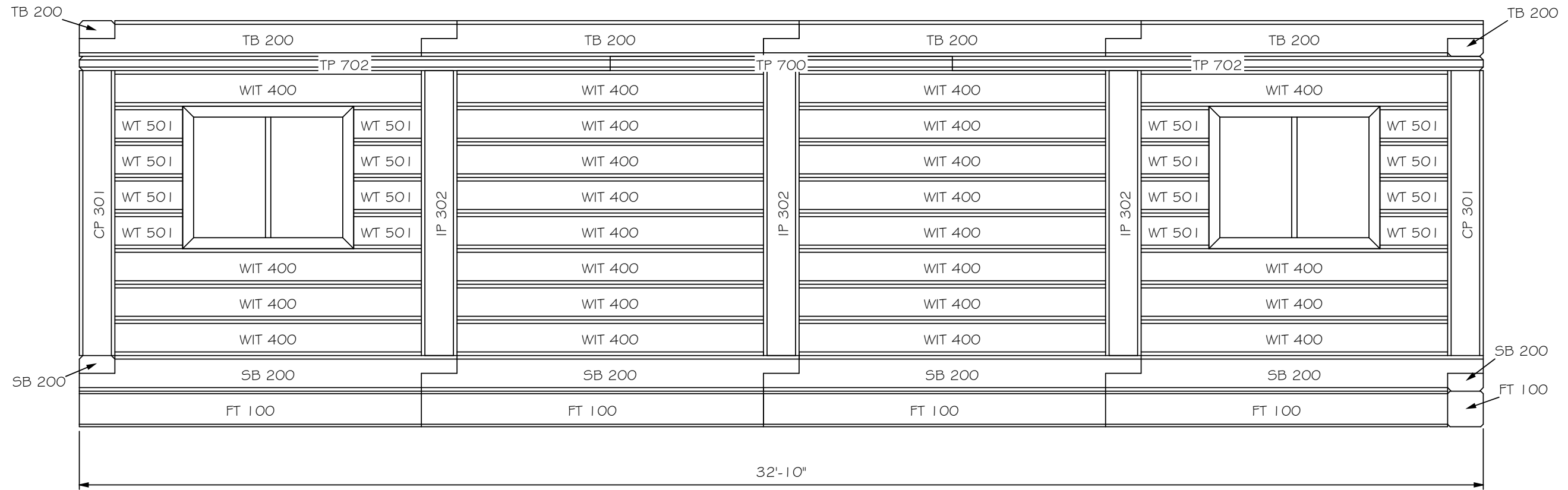


REAR ELEVATION TIMBER KEY



SCALE: 3/8" = 1'-0"	DRAWN BY:
DATE: 02-01-2014	REVISED:
NAHANNI	
REAR ELEVATION TIMBER KEY	DRAWING: 011

- DWG#
 100'S - FT= FOUNDATION TIMBERS
 200'S - SB= SILL BEAMS
 TB= TIE BEAMS
 300'S - WT= WINDOW TIMBERS
 400'S - WIT= WALL INFILL TIMBERS
 500'S - IP= INFILL POST
 DP= DOOR POST
 CP= CORNER POST
 600'S - DH= DOOR HEADER
 700'S - TP= TIE PLATE



RIGHT ELEVATION TIMBER KEY



SCALE: 3/8" = 1'-0"	DRAWN BY:
DATE: 02-01-2014	REVISED:
NAHANNI	
RIGHT ELEVATION TIMBER KEY	DRAWING: 012

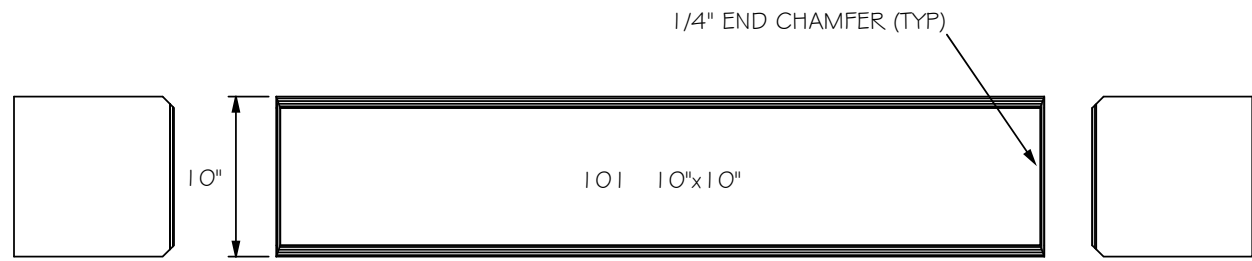
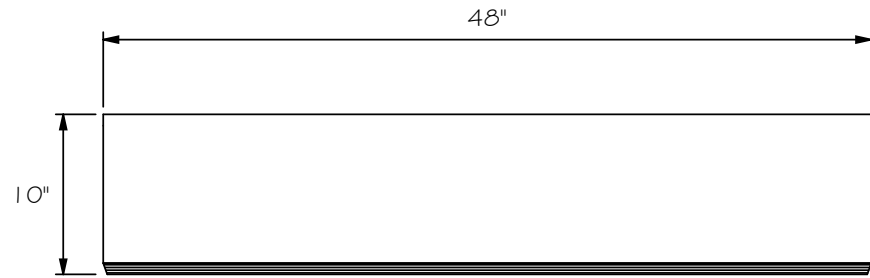
FOUNDATION TIMBER: 10" x 10"
Sorting#: 100, 16 Pieces
Dim. Takeoff Length 8'-0" feet-inch



SCALE: 3/4" = 1'-0"	DRAWN BY: KEVIN STAIRS
DATE: 02-01-2014	REVISED:
TIMBER MILLING DETAIL	
FOUNDATION TIMBER	DRAWING: 100



FOUNDATION TIMBER: 10" x 10"
Sorting#: 101, 2 Pieces
Dim. Takeoff Length 4'-0" feet-inch



SCALE: 3/4" = 1'-0"

DATE: 02-01-2014

DRAWN BY: KEVIN STAIRS

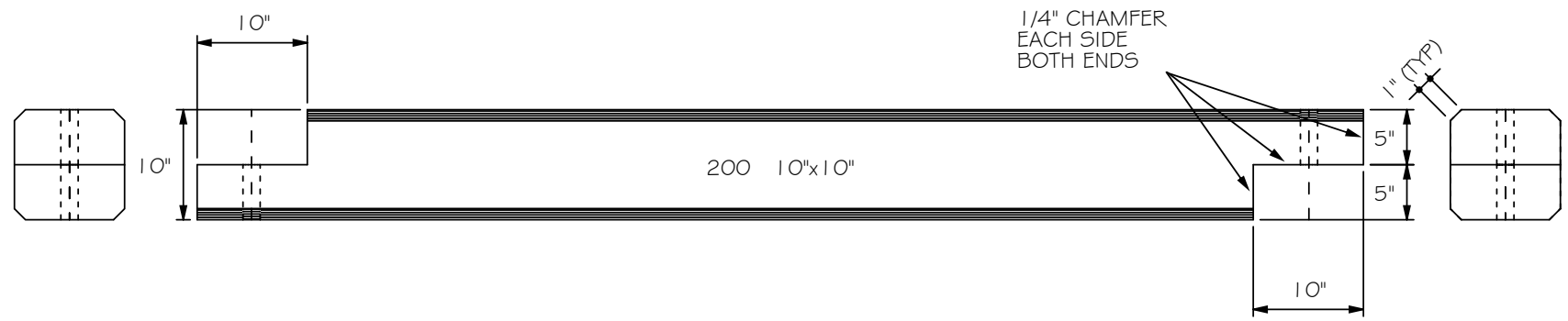
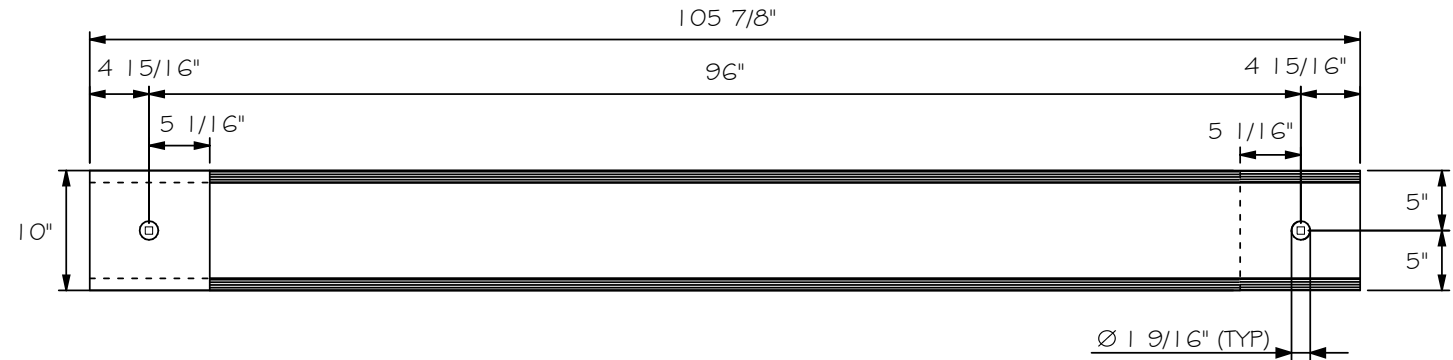
REVISED:

TIMBER MILLING DETAIL

FOUNDATION TIMBER

DRAWING: 101

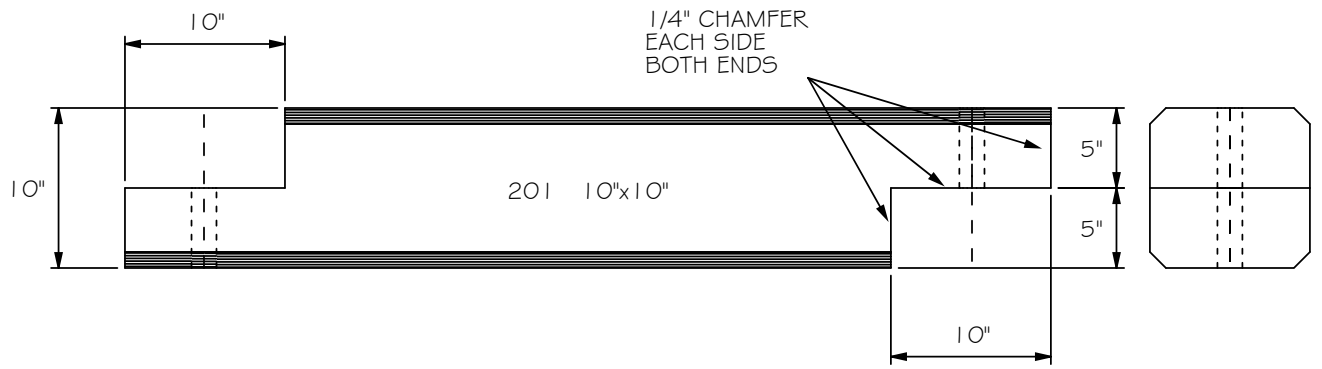
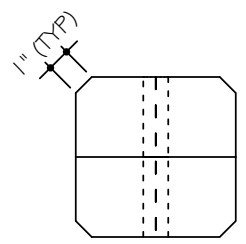
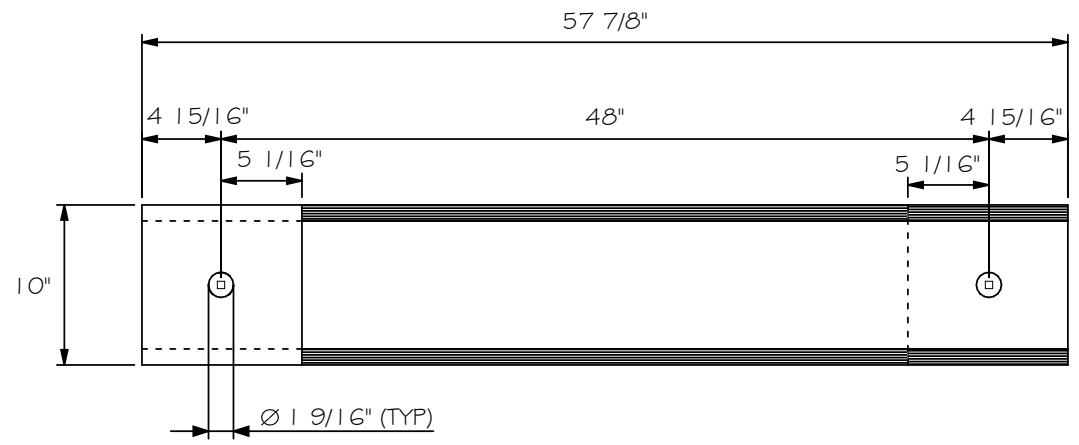
SILL/TIE BEAM: HAVEN 10" x 10"
 Sorting#: 200, 28 Pieces
 Dim. Takeoff Length 8'-10" feet-inch
 Scale 1:16



1/4" CHAMFER
 EACH SIDE
 BOTH ENDS

SCALE: 3/4" = 1'-0"	DRAWN BY: KEVIN STAIRS
DATE: 02-01-2014	REVISED:
TIMBER MILLING DETAIL	
SILL/TIE BEAM	DRAWING: 200

TIE BEAM:
 Sorting#: 201, 2 Pieces
 Dim. Takeoff Length 4'-10" feet-inch

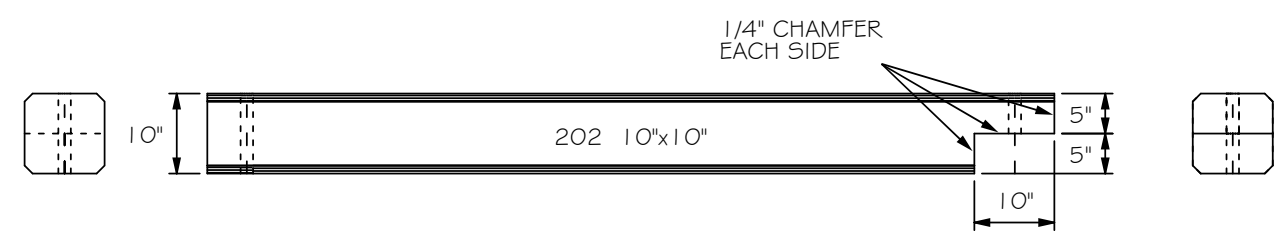
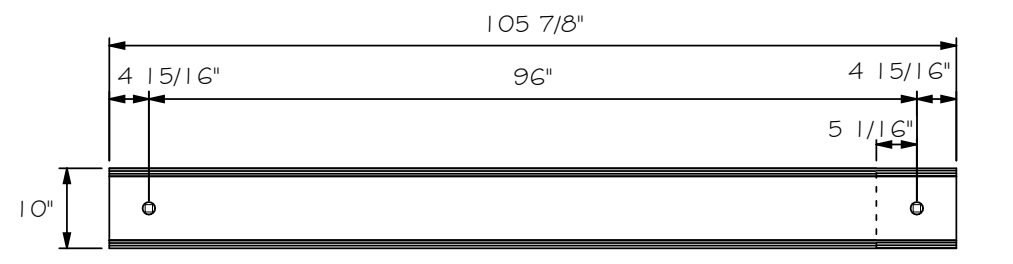


SCALE: 1" = 1'-0"
 DATE: 02-01-2014
 DRAWN BY: KEVIN STAIRS
 REVISED:

TIMBER MILLING DETAIL

SILL/TIE BEAM 1/2 PANEL
 DRAWING: 201

SILL BEAM: HAVEN 10" x 10"
 Sorting#: 202, 4 Pieces
 Dim. Takeoff Length 8'-10" feet-inch



SCALE: 1/2" = 1'-0"
 DATE: 02-01-2014

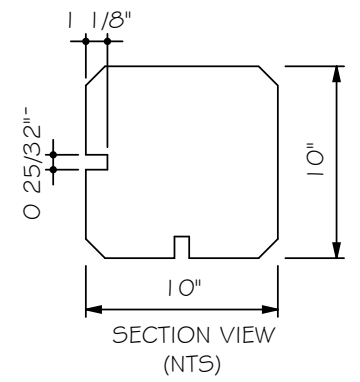
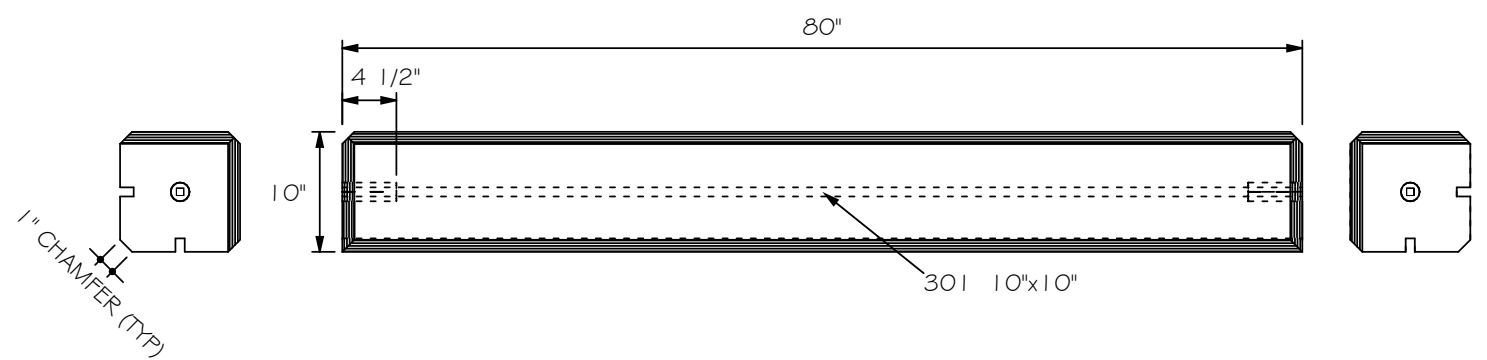
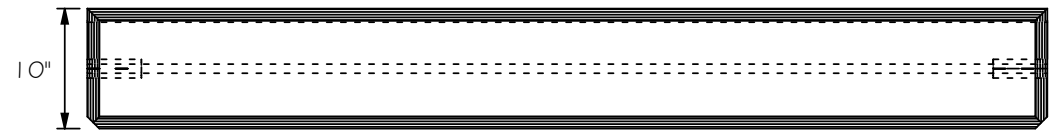
DRAWN BY: KEVIN STAIRS
 REVISED:

TIMBER MILLING DETAIL

SILL BEAM DOOR

DRAWING: 202

CORNER POST: 10" x 10"
 Sorting#: 301, 4 Pieces
 Dim. Takeoff Length 6'-8" feet-inch



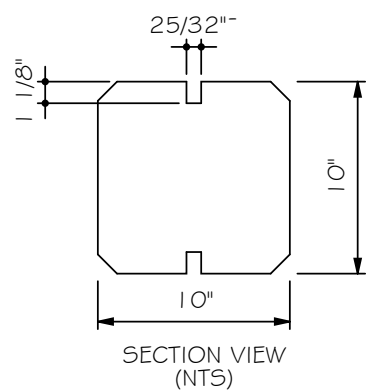
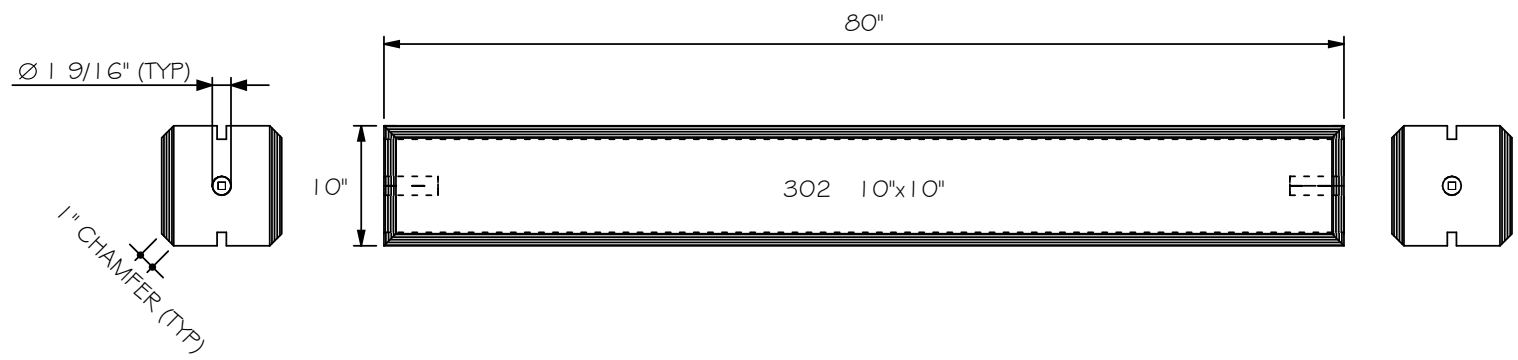
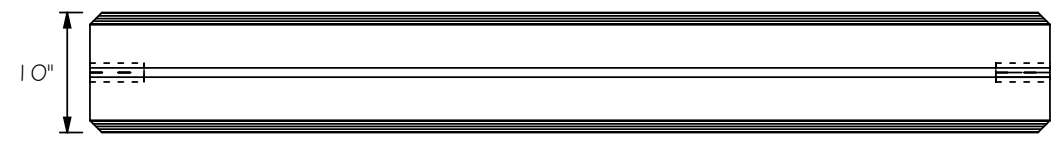
SCALE: 3/4" = 1'-0"
 DATE: 02-01-2014
 DRAWN BY: KEVIN STAIRS
 REVISED:

TIMBER MILLING DETAIL

CORNER POST

DRAWING: 301

INFILL POST: 10" x 10"
 Sorting#: 302, 10 Pieces
 Dim. Takeoff Length 6'-8" feet-inch



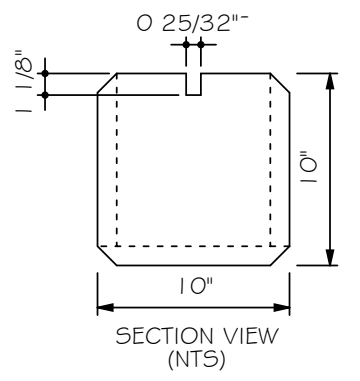
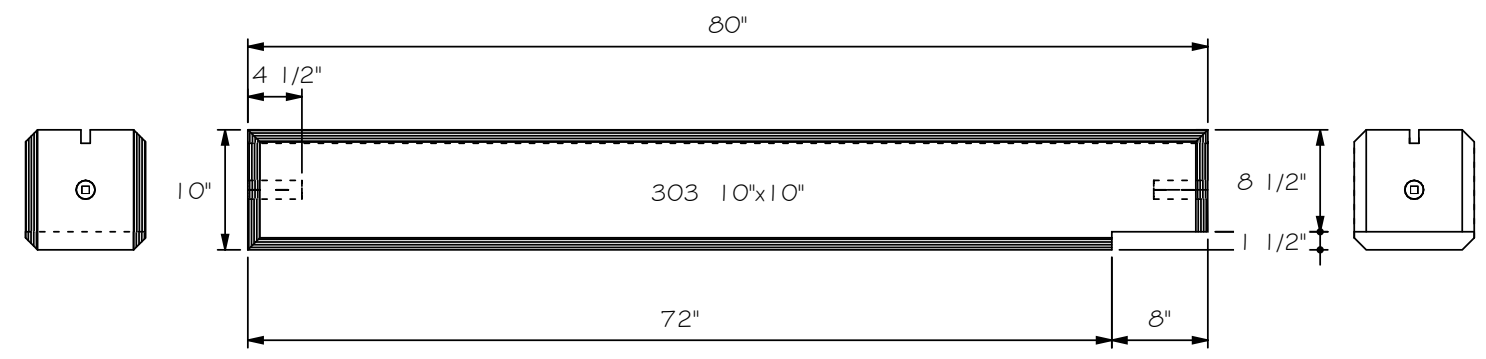
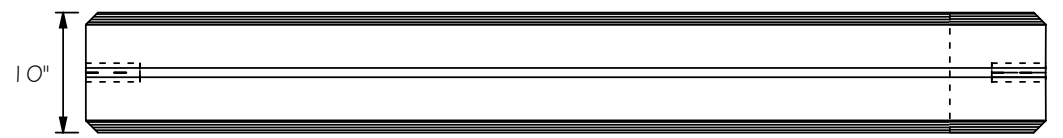
SCALE: 3/4" = 1'-0"
 DATE: 02-01-2014
 DRAWN BY: KEVIN STAIRS
 REVISED:

TIMBER MILLING DETAIL

INFILL POST

DRAWING: 302

DOOR POST: 10" x 10"
 Sorting#: 303, 4 Pieces
 Dim. Takeoff Length 6'-8" feet-inch



SCALE: 3/4" = 1'-0"
 DATE: 02-01-2014

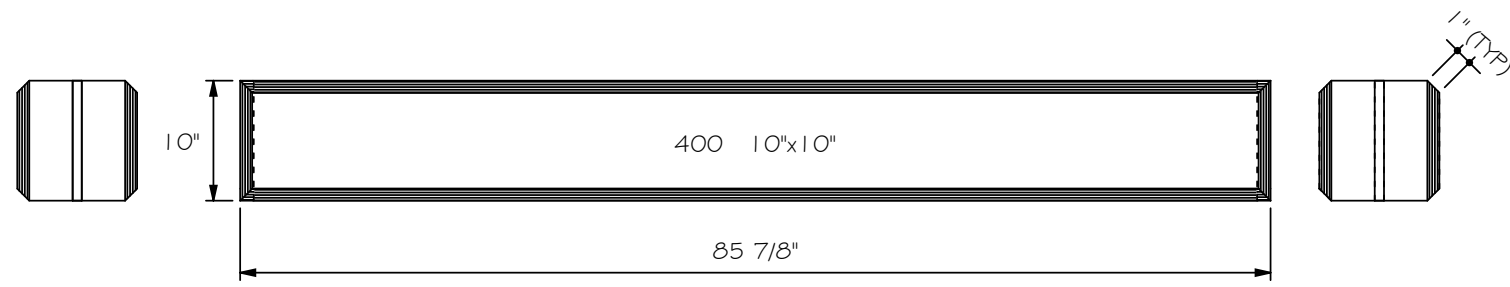
DRAWN BY: KEVIN STAIRS
 REVISED:

TIMBER MILLING DETAIL

DOOR POST

DRAWING: 303

WALL INFILL TIMBER: 10" x 10"
 Sorting#: 400, 90 Pieces
 Dim. Takeoff Length 7'-2" feet-inch



SCALE: 3/4" = 1'-0"
 DATE: 02-01-2014

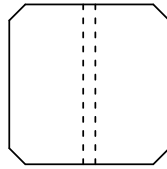
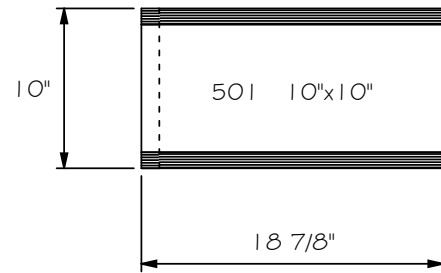
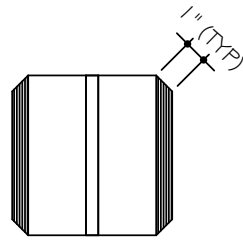
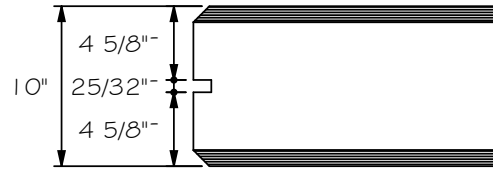
DRAWN BY: KEVIN STAIRS
 REVISED:

TIMBER MILLING DETAIL

WALL INFILL TIMBER

DRAWING: 400

WINDOW TIMBERS: 10" x 10"
 Sorting#: 501, 32 Pieces
 Dim. Takeoff Length 1'-7" feet-inch



SCALE: 1" = 1'-0"
 DATE: 02-01-2014

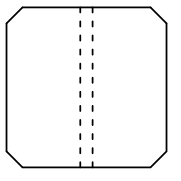
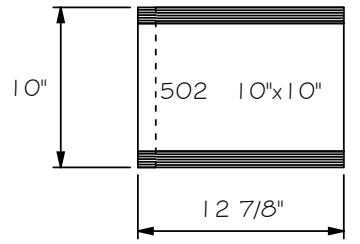
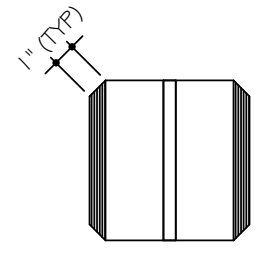
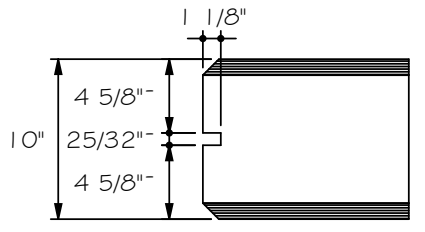
DRAWN BY: KEVIN STAIRS
 REVISED:

TIMBER MILLING DETAIL

WINDOW TIMBER

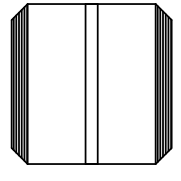
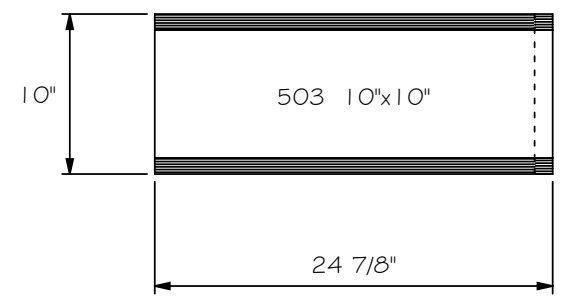
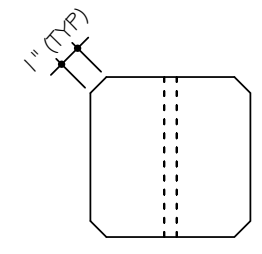
DRAWING: 501

WINDOW TIMBERS: 10" x 10"
 Sorting#: 502, 24 Pieces
 Dim. Takeoff Length 1'-1" feet-inch



SCALE: 1" = 1'-0"	DRAWN BY: KEVIN STAIRS
DATE: 02-01-2014	REVISED:
TIMBER MILLING DETAIL	
WINDOW TIMBERS	DRAWING: 502

WINDOW TIMBERS: 10" x 10"
 Sorting#: 503, 10 Pieces
 Dim. Takeoff Length 2'-1" feet-inch



SCALE: 1" = 1'-0"
 DATE: 02-01-2014

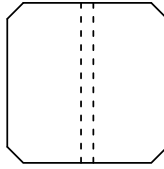
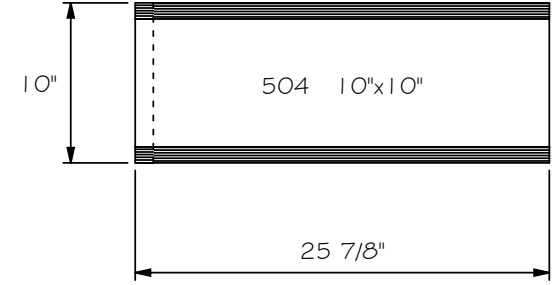
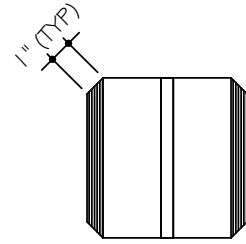
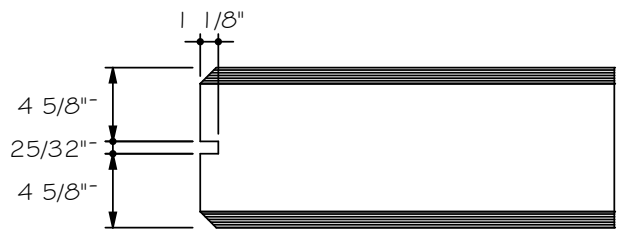
DRAWN BY: KEVIN STAIRS
 REVISED:

TIMBER MILLING DETAIL

WINDOW TIMBER

DRAWING: 503

WINDOW TIMBERS: 10" x 10"
 Sorting#: 504, 5 Pieces
 Dim. Takeoff Length 2'-2" feet-inch



SCALE: 1" = 1'-0"
 DATE: 02-01-2014

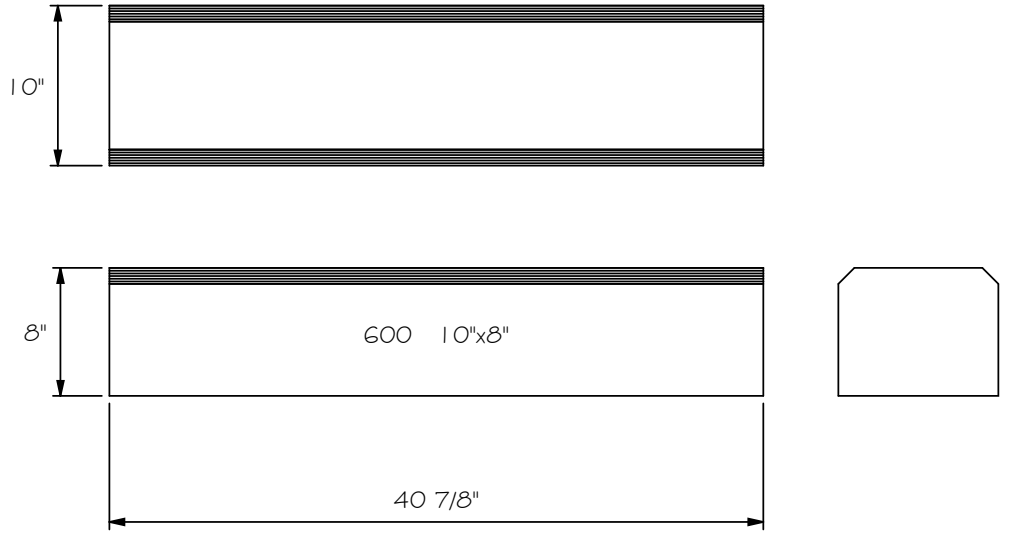
DRAWN BY: KEVIN STAIRS
 REVISED:

TIMBER MILLING DETAIL

WINDOW TIMBER

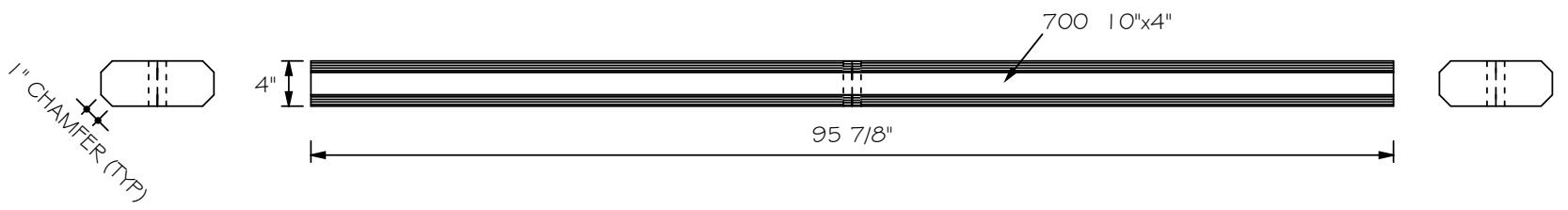
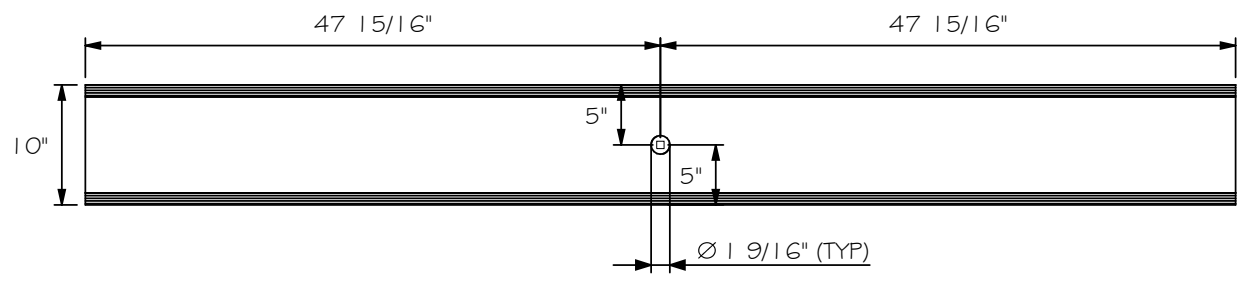
DRAWING: 504

DOOR HEADER: 10" x 8"
 Sorting#: 600, 2 Pieces
 Dim. Takeoff Length 3'-5" feet-inch



SCALE: 3/4" = 1'-0"	DRAWN BY: KEVIN STAIRS
DATE: 02-01-2014	REVISED:
TIMBER MILLING DETAIL	
DOOR HEADER	DRAWING: 600

TIE PLATE: MID SECTION
 Sorting#: 700, 3 Pieces
 Dim. Takeoff Length 8'-0" feet-inch



SCALE: 3/4" = 1'-0"
 DATE: 02-01-2014

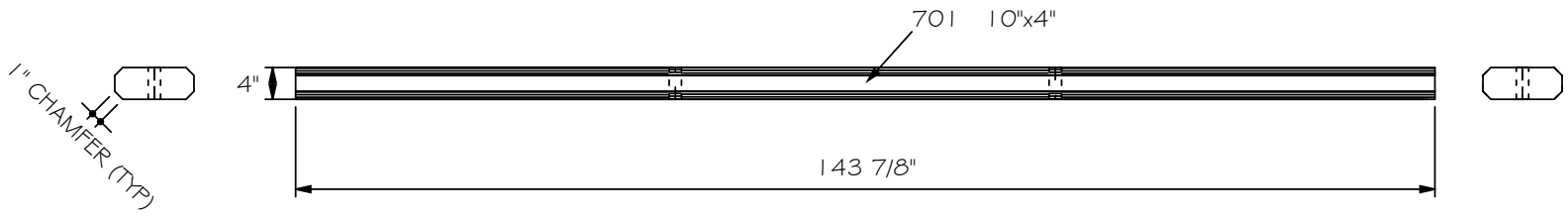
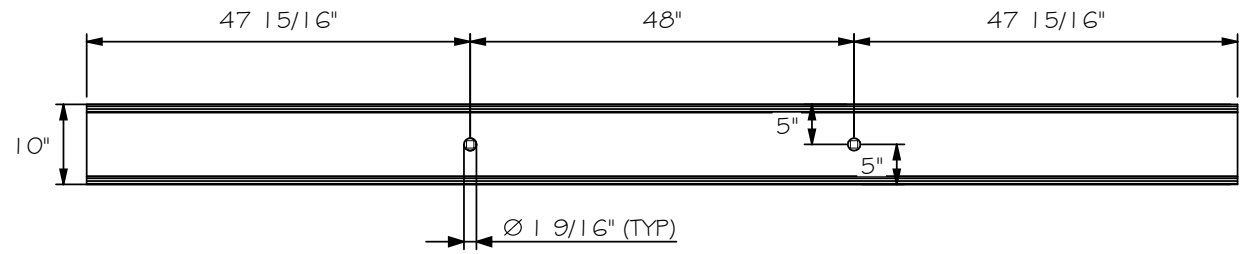
DRAWN BY: KEVIN STAIRS
 REVISED:

TIMBER MILLING DETAIL

TIE PLATE

DRAWING: 700

TIE PLATE: 10" x 4"
 Sorting#: 701, 2 Pieces
 Dim. Takeoff Length 12'-0" feet-inch



SCALE: 1/2" = 1'-0"
 DATE: 02-01-2014

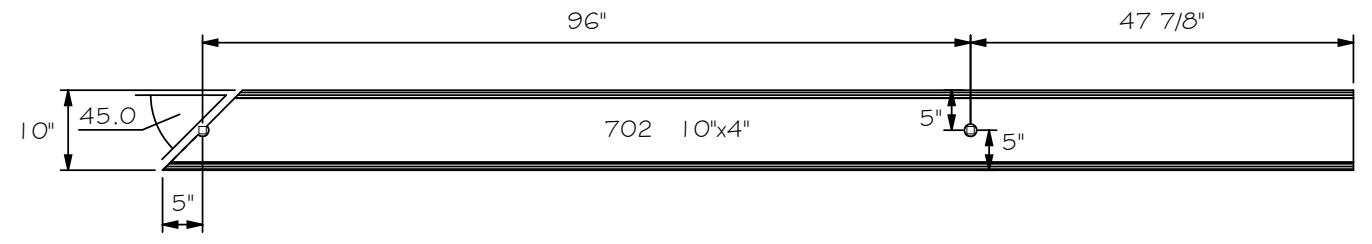
DRAWN BY: KEVIN STAIRS
 REVISED:

TIMBER MILLING DETAIL

TIE PLATE

DRAWING: 701

TIE PLATE:
 Sorting#: 10" x 4"
 Dim. Takeoff Length 12'-5" feet-inch
 702, 7 Pieces

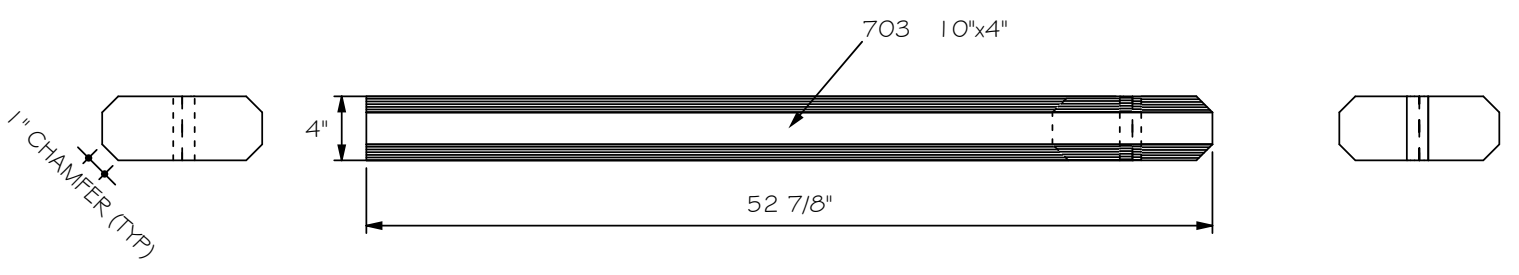
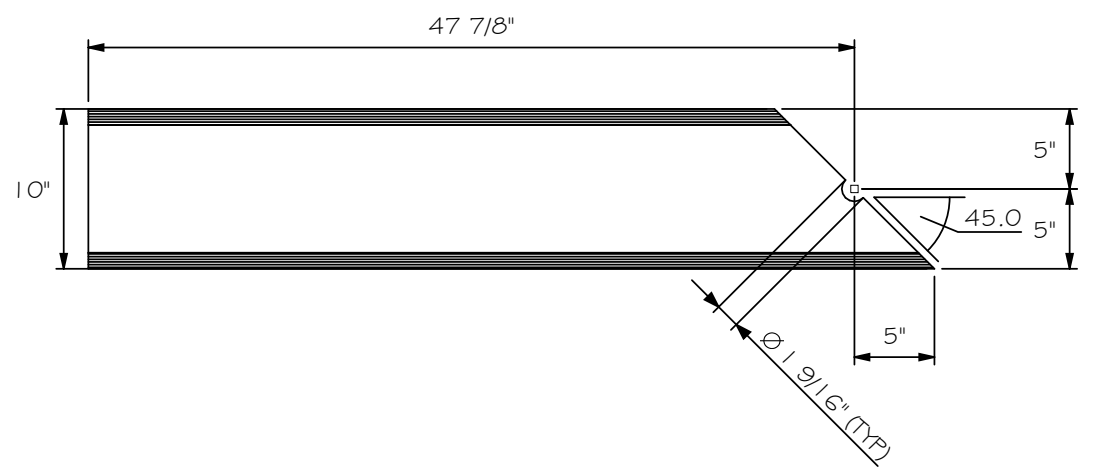


1" CHAMFER (TYP)



SCALE: 1/2" = 1'-0"	DRAWN BY: KEVIN STAIRS
DATE: 02-01-2014	REVISED:
TIMBER MILLING DETAIL	
TIE PLATE - CORNER	DRAWING: 702

TIE PLATE: SHORT CORNER 10" x 4"
 Sorting#: 703, 1 Pieces
 Dim. Takeoff Length 4'-5" feet-inch

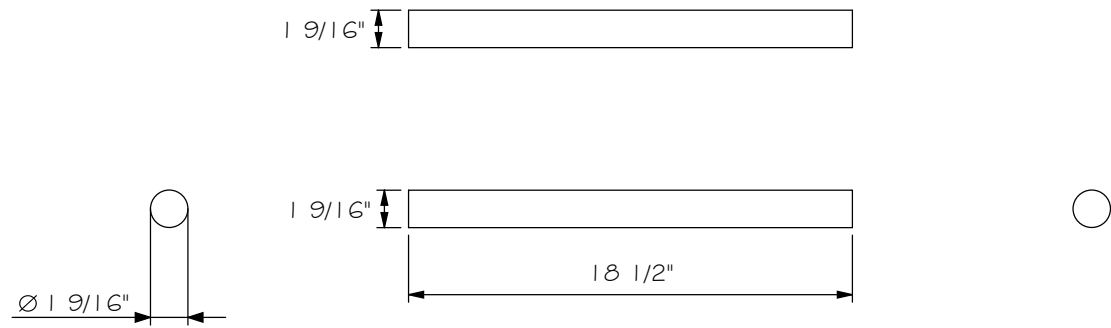


SCALE: 1" = 1'-0"	DRAWN BY: KEVIN STAIRS
DATE: 02-01-2014	REVISED:
TIMBER MILLING DETAIL	
TIE PLATE - SHORT CORNER	DRAWING: 703



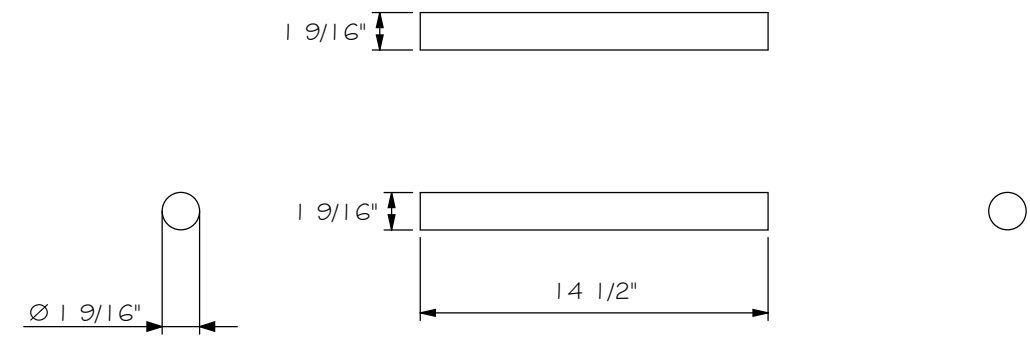
DOWEL: TOP
 QUANTITY
 Dim. Takeoff Length 1'-6 1/2" feet-inch

DIA 1 9/16"
 18 Pieces



DOWEL: BOTTOM
 QUANTITY
 Dim. Takeoff Length 1'-2 1/2" feet-inch

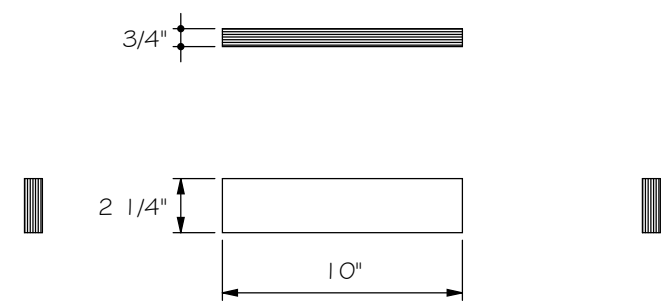
DIA 1 9/16"
 18 Pieces



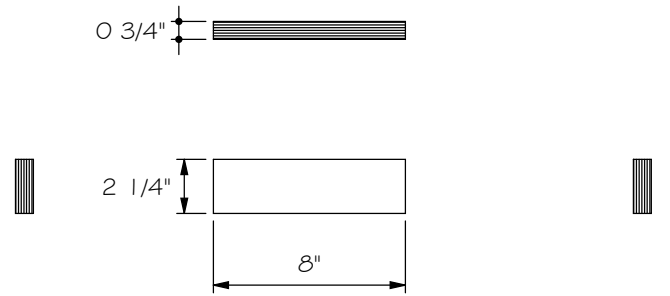
SCALE: 3/4" = 1'-0"	DRAWN BY: KEVIN STAIRS
DATE: 02-01-2014	REVISED:
TIMBER MILLING DETAIL	
DOWELS	DRAWING: 800



SPLINE: 10" 19.5mm X 10"
QUANTITY: 224 Pieces



SPLINE: 8" 19.5mm X 8"
QUANTITY: 32 Pieces



SCALE: 3/4" = 1'-0"	DRAWN BY: KEVIN STAIRS
DATE: 02-01-2014	REVISED:
TIMBER MILLING DETAIL	
SPLINES	DRAWING: 801